



# RV

Rohrverbinder  
Inserts

Buchse:

**M** = Messing, vernickelt oder

**A1** = Edelstahl 1.4305

Einsatz: glasfaserverstärktes

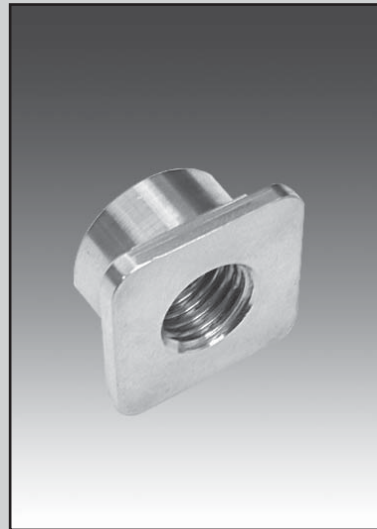
Polyamid

Bushing :

**M** = Brass Nickel plated or

**A1** = Stainless Steel AISI 303

Insert: reinforced Nylon Polyamide



# RV

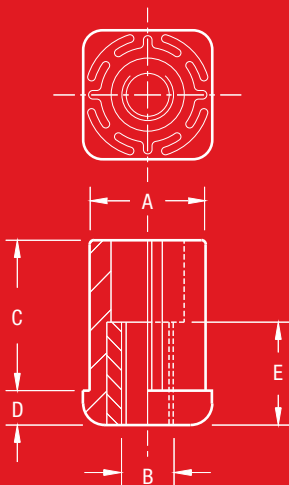
Rohrverbinder  
Inserts

Material:

**A1** = Edelstahl 1.4305

Material:

**A1** = Stainless Steel AISI 303



| A  | B   | für<br>for    | C  | D  | E  | F <sub>max.</sub><br>in kN |
|----|-----|---------------|----|----|----|----------------------------|
| 27 | M10 | 30 x 30 x 1,5 | 35 | 8  | 24 | 5                          |
| 27 | M12 | 30 x 30 x 1,5 | 35 | 8  | 24 | 5                          |
| 27 | M16 | 30 x 30 x 1,5 | 35 | 8  | 24 | 5                          |
| 37 | M10 | 40 x 40 x 1,5 | 35 | 8  | 24 | 10                         |
| 37 | M12 | 40 x 40 x 1,5 | 35 | 8  | 24 | 10                         |
| 37 | M16 | 40 x 40 x 1,5 | 35 | 8  | 24 | 10                         |
| 37 | M20 | 40 x 40 x 1,5 | 20 | 8  | 24 | 10                         |
| 36 | M16 | 40 x 40 x 2,0 | 35 | 8  | 24 | 10                         |
| 36 | M20 | 40 x 40 x 2,0 | 35 | 8  | 24 | 10                         |
| 47 | M16 | 50 x 50 x 1,5 | 45 | 10 | 24 | 12                         |
| 47 | M20 | 50 x 50 x 1,5 | 45 | 10 | 24 | 12                         |
| 46 | M16 | 50 x 50 x 2,0 | 45 | 10 | 24 | 12                         |
| 46 | M20 | 50 x 50 x 2,0 | 45 | 10 | 24 | 12                         |
| 46 | M24 | 50 x 50 x 2,0 | 45 | 10 | 24 | 12                         |

weitere Abmessungen lieferbar /// technische Änderungen vorbehalten  
other sizes on request /// we reserve the right to alter specifications

| A  | B   | für<br>for    | C  | D |
|----|-----|---------------|----|---|
| 26 | M12 | 30 x 30 x 2,0 | 8  | 4 |
| 26 | M16 | 30 x 30 x 2,0 | 12 | 4 |
| 24 | M12 | 30 x 30 x 3,0 | 8  | 4 |
| 24 | M16 | 30 x 30 x 3,0 | 12 | 4 |
| 36 | M16 | 40 x 40 x 2,0 | 11 | 5 |
| 36 | M20 | 40 x 40 x 2,0 | 15 | 5 |
| 34 | M16 | 40 x 40 x 3,0 | 11 | 5 |
| 34 | M20 | 40 x 40 x 3,0 | 15 | 5 |
| 34 | M24 | 40 x 40 x 3,0 | 19 | 5 |
| 46 | M16 | 50 x 50 x 2,0 | 10 | 6 |
| 46 | M20 | 50 x 50 x 2,0 | 14 | 6 |
| 46 | M24 | 50 x 50 x 2,0 | 18 | 6 |
| 44 | M16 | 50 x 50 x 3,0 | 10 | 6 |
| 44 | M20 | 50 x 50 x 3,0 | 14 | 6 |
| 44 | M24 | 50 x 50 x 3,0 | 18 | 6 |

weitere Abmessungen lieferbar /// technische Änderungen vorbehalten  
other sizes on request /// we reserve the right to alter specifications